



SunPower® X-Series Commercial Solar Panels | X22-360-COM

More than 22% Efficiency

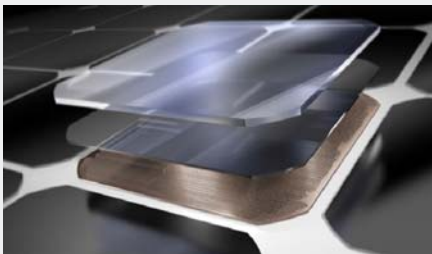
Captures more sunlight and generates more power than conventional panels.

Maximum Performance

Designed to perform in demanding real-world conditions of high temperatures, partial shade from overhead wires, and low light.¹

Commercial Grade

Intended for commercial sites where maximum energy production is critical.



Maxeon® Solar Cells: Fundamentally better

Engineered for performance, designed for reliability.

Engineered for Peace of Mind

Designed to deliver consistent, trouble-free energy over a very long lifetime.³

Designed for Reliability

The SunPower Maxeon solar cell is the only cell built on a solid metal foundation. Virtually impervious to the corrosion and cracking that degrade conventional panels.

Same excellent durability as E-Series panels.

#1 Rank in Fraunhofer durability test.⁴

High Performance & Excellent Reliability

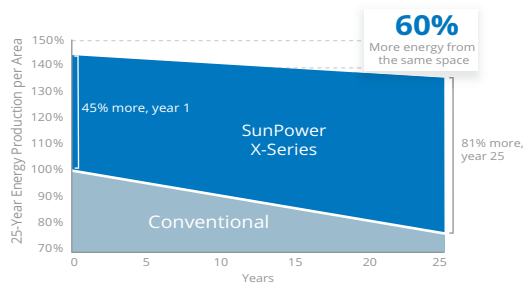


SPR-X22-360-COM

Highest Efficiency Available²

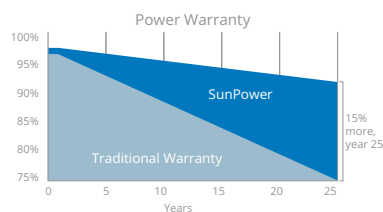
Generate more energy per square foot

More energy to power your operations. X-Series commercial systems convert more sunlight to electricity by producing 45% more energy in the first year. This advantage increases over time, producing 60% more energy over the first 25 years to meet your needs.¹

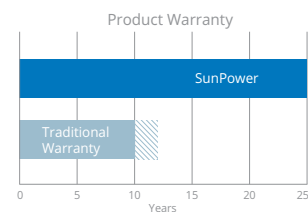


Best Reliability, Best Warranty

A better warranty starts with a better product. Proven performance backs up our industry-best coverage, including our warranted 0.25% per year degradation rate.⁵



More guaranteed power: 98% for first year, -0.25%/yr. to year 25



Combined Power and Product defect 25-year coverage

SunPower® X-Series Commercial Solar Panels | X22-360-COM

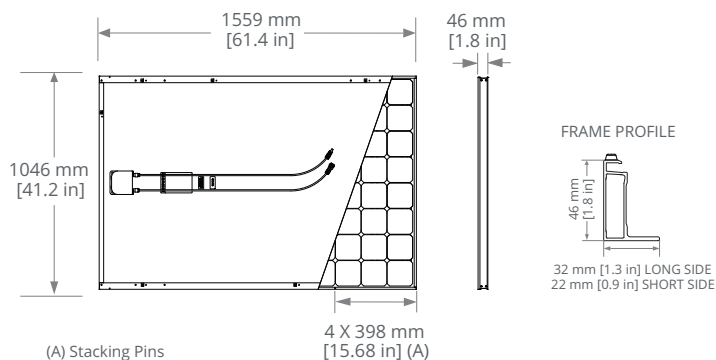
Electrical Data	
SPR-X22-360-COM	
Nominal Power (P _{nom}) ⁶	360 W
Power Tolerance	+5/-3%
Avg. Panel Efficiency ⁷	22.2%
Rated Voltage (V _{mpp})	59.1 V
Rated Current (I _{mpp})	6.09 A
Open-Circuit Voltage (V _{oc})	69.5 V
Short-Circuit Current (I _{sc})	6.48 A
Max. System Voltage	1000 V UL & 1000 V IEC
Maximum Series Fuse	15 A
Power Temp Coef.	-0.29% / °C
Voltage Temp Coef.	-167.4 mV / °C
Current Temp Coef.	2.9 mA / °C

Operating Condition And Mechanical Data	
Temperature	-40° F to +185° F (-40° C to +85° C)
Impact Resistance	1 inch (25 mm) diameter hail at 52 mph (23 m/s)
Appearance	Class B
Solar Cells	96 Monocrystalline Maxeon Gen III
Tempered Glass	High-transmission tempered anti-reflective
Junction Box	IP-65, MC4 compatible
Weight	41 lbs (18.6 kg)
Max. Load	Wind: 50 psf, 2400 Pa front & back Snow: 112 psf, 5400 Pa front
Frame	Class 2 silver anodized; stacking pins

Tests And Certifications	
Standard Tests ⁸	UL1703 (Type 2 Fire Rating), IEC 61215, IEC 61730
Management System Certs	ISO 9001:2015, ISO 14001:2015
EHS Compliance	RoHS, OHSAS 18001:2007, lead free, REACH SVHC-163, PV Cycle
Sustainability	Cradle to Cradle Certified™ Silver (contributes to LEED categories) ⁹
Ammonia Test	IEC 62716
Desert Test	10.1109/PVSC.2013.6744437
Salt Spray Test	IEC 61701 (maximum severity)
PID Test	1000V: IEC62804, PVEL 600hr duration
Available Listings	UL, TUV, CEC

REFERENCES:

- 1 SunPower 360W compared to a Conventional Panel on same sized arrays (260W, 16% efficient, approx. 1.6 m²), 4% more energy per watt (based on 3pty module characterization and PVSim), 0.75%/yr slower degradation (Campeau, Z. et al. "SunPower Module Degradation Rate," SunPower white paper, 2013).
- 2 Based on search of datasheet values from websites of top 10 manufacturers per IHS, as of January 2017.
- 3 "SunPower Module 40-Year Useful Life" SunPower white paper, May 2015. Useful life is 99 out of 100 panels operating at more than 70% of rated power.
- 4 X-Series same as E-Series, 5 of top 8 panel manufacturers tested in 2013 report, 3 additional panels in 2014. Ferrara, C., et al. "Fraunhofer PV Durability Initiative for Solar Modules: Part 2". Photovoltaics International, 2014.
- 5 See us.sunpower.com/commercial-solar/products/panel-warranty for more details.
- 6 Standard Test Conditions (1000 W/m² irradiance, AM 1.5, 25° C). NREL calibration Standard: SOMS current, LACCS FF and Voltage.
- 7 Based on average of measured power values during production.
- 8 Type 2 fire rating per UL1703:2013, Class C fire rating per UL1703:2002.
- 9 See salesperson for details.



Please read the safety and installation guide.